



Clean Air Industries is a leading innovator of air filtration products, engineered for environmental and economic excellence. In addition to providing solutions for large manufacturing environments, we have long been recognized as the industry standard for trade schools and welding labs across the country.

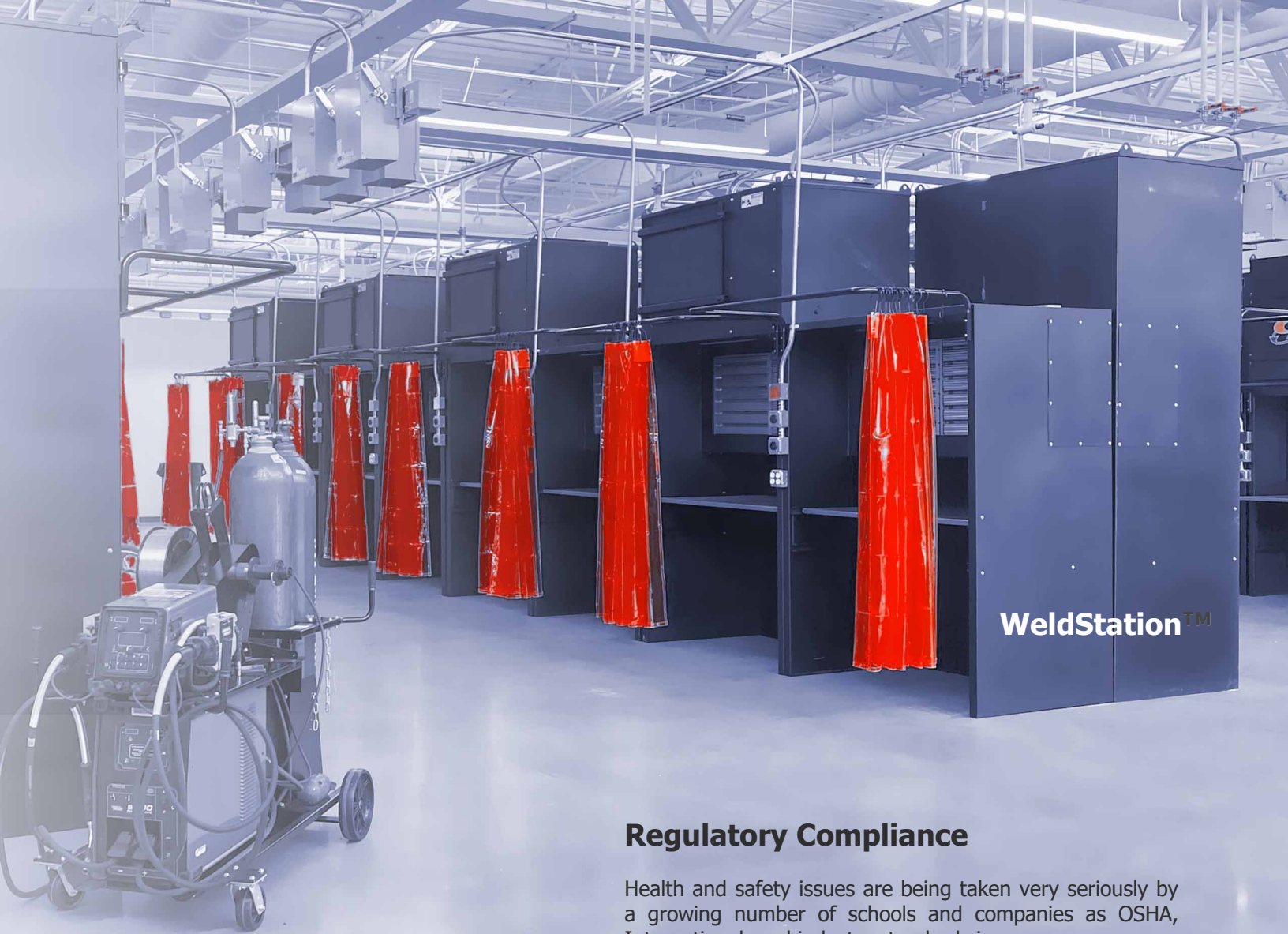
Clean Air Industries solutions are broad and offer benefits of lower install costs, less maintenance, and low energy costs while improving morale and work environments by protecting students, teachers, and equipment from potentially hazardous contaminants.



Health & Safety

Exposure to weld fume and smoke can pose various health risks. The specific health effects depend on the composition of the fumes, the duration and intensity of exposure, and individual susceptibility. Here are some potential health risks associated with exposure to weld fume and smoke:

- Respiratory Issues
- Lung Damage
- Cancer
- Neurological Effects



WeldStation™

Regulatory Compliance

Health and safety issues are being taken very seriously by a growing number of schools and companies as OSHA, International, and industry standards increase.

Many major American manufacturers are adopting European exposure limits as a global standard for their operations and are exceeding OSHA Standards.



To meet these standards, facilities must implement a highly efficient dust and fume filtration system to filter out the harmful particulate.

The exposure limits these companies are targeting range from .02 – 1 mg/m³ depending on company policy, well below the 5 mg/m³ standard set by OSHA.

WeldStation™

The Clean Air Industries WeldStation is the premier weld fume extraction solution used in hundreds of trade schools and welding labs around the country.

Featuring a ductless design and 4,000 CFM of airflow, the WeldStation is a durable, dependable, easy-to-install turnkey booth solution designed for heavy-duty use.

Available in single and double booth configurations. No additional accessories, ductwork or fume capture arms are required.



Central Dust Collectors

Amtech Central Dust & Fume Collectors offers a broad selection of configurations for you to choose from for your training environment. Ranging from two (2) to eighty (80) cartridge options with up to 40,500 CFM of airflow, Clean Air Industries central dust & fume collectors effectively capture airborne contaminants for a cleaner and safer training facility."

The Amtech ATC Cyclone Dust Collector Series offers capacities ranging from 800 CFM to 12,500 CFM of airflow. Ideal for woodworking applications such as cutting, planing, jointing, routing, and sanding.



All Central Dust & Fume Collectors can be customized to meet your exact operational needs.



Welding Booths

Available in various sizes and configurations to suit your needs, Clean Air Industries Bolt Together Welding Booths are the industry standard for use with ducted fume extraction systems. They feature quality & performance for the welding educational field.

Owing to their simple bolt together design, assembly is quick and easy with minimal labor required and can be configured in various layouts to match your floorspace.

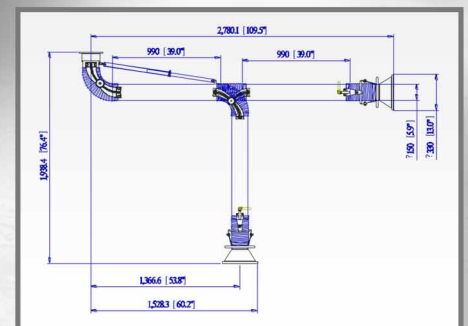


Fume Capture Arms

Clean Air Industries hanging Fume Capture Arms combine solid metal construction with 360 degree movement to provide durability and ease of use.

Available sizes:

- 7' (your choice of 6" or 8" diameter)
- 10' (your choice of 6" or 8" diameter)



Downdraft Tables

Using a source capture solution offers the best method for controlling harmful fumes, smoke, and dust by capturing airborne contaminants before they can enter the operator's breathing zone.

Clean Air Industries Downdraft Tables provide performance, durability, and peace of mind available in various sizes with multiple configurations to address your training needs.



Portable Fume Extractors

Clean Air Industries Portable Fume Extractors are the perfect source capture solution for harnessing weld and solder fumes when easy transport and positioning are required.

Featuring a self-cleaning system for extended filter life, and 1,200 CFM of airflow, our Portable Fume Extractors consistently outperform competitive units with a draw distance of nearly two feet.





Ambient Air Cleaners

Clean Air Industries offers a range of Ambient Air Cleaners that effectively capture fugitive smoke, fume, and dust throughout your facility with no ducting required.

Our DFX Series of Ambient Air Cleaners can be suspended or wall-mounted. The DFX Series can be used as either a primary or secondary level of defense, depending on the layout and size of your facility.

Our Amtech Streamer Ambient Tower series offers an easy and effective ambient solution for your facility by creating a constant series of air changes in your welding space with minimal floor space required.



Environmental Booths

Clean Air Industries Environmental Booths prevent harmful dust, fume, and smoke from escaping the booth enclosure while filtering the air within the booth. The result is safe, clean air for everyone inside your facility.

Available in many sizes and configurations.





Mobile Welding Labs

Mobile Welding Labs have grown in popularity during recent years, owing to their ability to provide a comprehensive training environment in remote areas.

Mobile Welding Labs are fully customizable and available in various sizes up to 53' in length. Clean Air Industries has designed and manufactured custom mobile welding certification labs for a wide variety of technical training schools and community colleges to train and certify welders on proper welding techniques and procedures.



Your Trusted Partner...

For over 30 years, Clean Air Industries has been the trusted choice of hundreds of schools and institutions across America.

We provide products and services of the highest quality, adhering to strict industry standards and leveraging cutting-edge technologies to ensure that our equipment meets the most demanding requirements, and keeps students safe.



Learning Labs, Inc.



Learning Labs, Inc.
Equipping Teachers and Empowering Students!

PO Box 1419
Calhoun, GA 30703
(800) 334-4943