



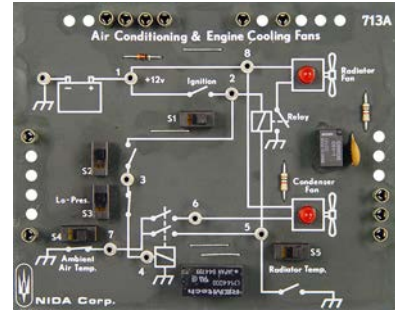
NIDA SPECIFICATIONS



AUTOMOTIVE ELECTRONICS EXPERIMENT CARD SET MODEL 1431A

General Description

The Automotive Electronics experiment card set is designed for use with Nida Model 130 Series Test Console. The courseware teaches electricity and electronics from an automotive perspective. Experiments and troubleshooting scenarios are performed on circuit cards that emulate automotive circuits. Traditional subjects such as Ohm's Law, Series Circuits and Parallel Circuits are presented using examples from automotive systems and calculations that are based on actual values found in automotive circuitry. Trailer wiring, car audio, and CAN-bus round out the applications.



Card Specifications

- Compatible with computer assisted instruction or traditional hard copy text materials.
- Pre-assembled circuits require no assembly, jumper wires, or soldering.
- Exposed components provide maximum technician accessibility.
- Push-on, pull-off connections ensure self-cleaning of contacts.
- Powered automatically by computer instruction or manual push-button action.
- Nondestructive faults activated by computer instruction or manual push-button action.
- Generated signals are measurable with standard test equipment.

Experiment Cards

- | | | |
|--|---|---|
| <ul style="list-style-type: none"> • Ohm's Law PC130-701 • Series Circuits PC130-702 • Parallel Circuits PC130-703 • Series-Parallel PC130-704 • Voltage Divider PC130-705 • Relay Operation PC130-706 | <ul style="list-style-type: none"> • Inductors & Cap PC130-707 • Diodes PC130-708 • Transistors PC130-709 • AND Gates PC130-710 • OR Gates PC130-711 • NOT Gates PC130-712 • AC & Fan PC130-713A • Logic Circuit PC130-713B | <ul style="list-style-type: none"> • Blinker System PC130-714 • Starting System PC130-715 • Injection System PC130-716 • Automobile PC130-720 • Trailer PC130-721 • Power Dist PC130-CAS1 • Head Unit PC130-CAS2 • Cross Over PC130-CAS3 • Amplifier PC130-CAS4 • Fuse/Engine/Transmission PC130-660 • Scantool/Multimeter PC130-661 • Lighting/Security/ABS/ESC/TC PC130-662 • Wire Harness |
|--|---|---|

Nida Corporation

300 S John Rodes Boulevard Melbourne FL 32904
Phone (321) 727-2265 FAX (321) 727-2655

www.nida.com