

CLEAN AIR
INDUSTRIES



FUME DOG PORTABLE WELD FUME EXTRACTOR

If you run a weld shop, you know the value of gear that works as hard as your team. Enter the Fume Dog—a 1200 CFM portable welding fume extractor built for serious Stick, MIG, or TIG work, shift after shift (up to two a day, no sweat).

It's made to move when you need it, but here's the kicker: it doesn't just roll—it adapts. Right out of the box, this unit switches from ground-mounted to wall-mounted, no extra parts needed. Just plug it in and get back to welding.

Built from solid steel—not that plastic stuff that turns into a puddle near heat—this unit is engineered to thrive in your shop, not shy away from it. Want even more versatility? Add one accessory and it doubles as a downdraft table.

Bottom line: the Fume Dog Portable Weld Fume Extractor isn't just another tool—it's the kind of rugged, flexible, no-nonsense solution shop owners actually appreciate.



FUMEDOG



FUME DOG PORTABLE WELD FUME EXTRACTOR

Benefits

- **Versatility:** Mount it on the floor, slap it on the wall – your choice. The Fume Dog is so flexible, it practically installs itself. And guess what? No mysterious 'sold separately' parts required.
- **Durable and Dependable:** Crafted in the USA with rugged steel, the Fume Dog laughs in the face of double shifts. Two a day? Please, it was born for this.

Features

- **Heavy Duty Construction:** Featuring 12-gauge powder coated steel.
- **Steel Constructed Fume Arm:** Powder coated steel fume arms hold up under tough work environments as opposed to the plastic construction many portables use.
- **Cleaning System:** Using a unique internally rotating cleaning wand with a continuous air stream, the filter life on a Fume Dog portable is about 6-7 times longer than traditional reverse pulse systems used with competing portable fume extractors.
- **Built-In Spark Arrestance:** Includes one (1) 14"x14"x2" fire-retardant metal mesh pre-filter
- **Plug and Play:** Your choice of 120V or 220V, single-phase, 1.5 HP motor.
- **Easy Mobility:** Featuring four (4) industrial-strength lockable swivel caster wheels for effortless transport within your facility.

Options

- **Fume Arms:** The Fume Dog Portable Weld Fume Extractor is available with 7' (standard) or 10' fume arm options to best suit your needs.
- **Filters:** Choose our standard Nanofiber FR filter (MERV 15) or upgrade to PTFE (MERV 16).





Key Applications

- Manual Welding processes
- Stick, MIG or TIG welding
- Ideal for Industrial Manufacturing & Educational Welding Labs

Health & Safety

Exposure to weld fumes and weld smoke can pose various health risks. The specific health effects depend on the composition of the fumes, the duration and intensity of exposure, and individual susceptibility. Here are some potential health risks associated with exposure to weld fumes and weld smoke:

- Emphysema
- Lung Cancer
- Metal Fume Fever
- Neurological Effects

Regulatory Compliance

Health and safety issues are being taken very seriously by a growing number of companies as OSHA, International, and industry standards increase. Many large us manufacturers are planning and adopting European exposure limits as a global standard for their entire company and are exceeding OSHA Standards.

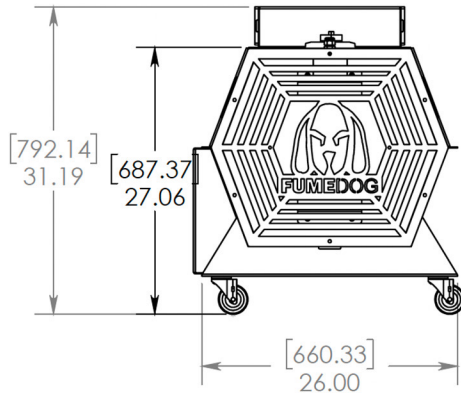
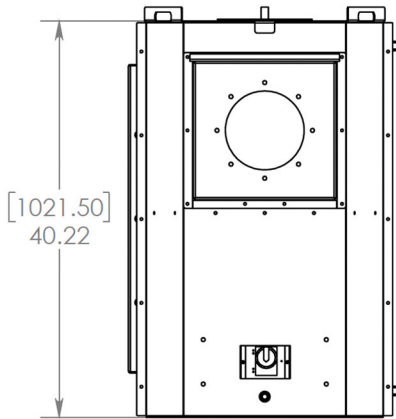
To meet these standards companies must implement a highly efficient dust and fume filtration system to filter out the harmful particulate. The exposure limits these companies are targeting range from .02 - 1 mg/m³ depending on company policy, well below the 5 mg/m³ standard set by OSHA.

Warranty Information

All Clean Air Industries units are backed by a standard 10-year manufacturer's warranty*

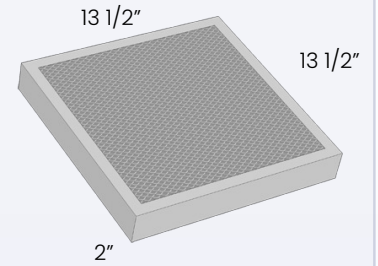
We guarantee that the major structural components of the goods will be free from defects in material and workmanship for ten (10) years from the date of shipment.

*This warranty does not cover consumable parts, fuses, filters, or other non-structural components. For warranty details, visit our website: <https://clean-air.com/warranty>



PRE-FILTER

- Part#: FD-FLT-MESH-RPL
- 13 1/2" W x 13 1/2"H x 2" D
- Perm-A-Steel Filter



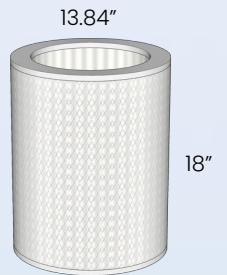
STANDARD FILTER CARTRIDGE
NANOFIBER FLAME RETARDANT

- Part# FD-FLT-RPL-NANO
- Rating: MERV 15
- Filter Media Area: 170 ft²
- 13.84" OD x 9.48" ID x 18" L



OPTIONAL FILTER CARTRIDGE
PTFE

- Part# FD-FLT-RPL-PTFE
- Rating: MERV 16
- Filter Media Area: 70 ft²
- 13.84" OD x 9.48" ID x 18" L



MODEL	AIRFLOW	MOTOR	VOLTAGE	AMPS (FLA)	DIMENSIONS (without arm)	CAPTURE ARM	WEIGHT (without arm)
FUMEDOG-PT	1200 CFM	1.5HP @ 3450	120, 220v/1/60Hz	16	26" W x 31.5" H x 40.5" L	7', or 10' LENGTH (8" DIAMETER)	215 lbs.

* Please note that the dimensions provided are based on our base models and may vary depending on selected features. To ensure accurate shipping quotes, kindly contact us for personalized information that considers your chosen product features and customizations. Feel free to reach out with any questions or to request a personalized shipping quote. We are committed to your satisfaction and look forward to helping you!



Learning Labs, Inc.
PO Box 1419
Calhoun, GA 30703
(800) 344-4943